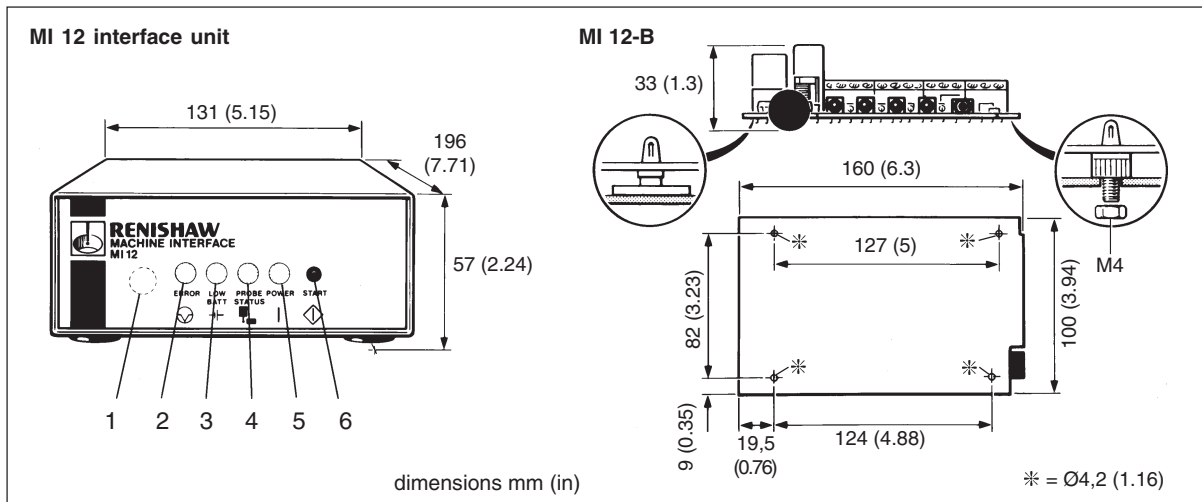


MI 12 interface unit

The MI 12 interface processes signals between one or two OMM's and the CNC machine control.
(The MI 12 replaces the earlier MI 4 and MI 7 interface units)



System status

System status is presented visually in a continuously updated form, on the front panel diagnostic LED display, and by outputs available from the MI 12 to the CNC machine control.

1. **Audible indicator (bleeper)**
The speaker is behind the front panel.
2. **Error LED**
Lit when optical beam obstructed, probe out of range, probe switched off, etc.
3. **Low battery LED**
Replace probe batteries as soon as practicable, after this LED lights up.
4. **Probe status LED**
Lit when probe is seated.
Off when stylus is deflected or an error has occurred.
5. **Power LED**
Lit when power is on.
6. **Start button - switch SW1**
Manual start push button. Press button to switch system to operating mode. Normally a machine start or auto start signal is used.

Machine start/Auto start options

A software command from the CNC control initiates probe system switch-on (machine start).
Alternatively an internal MI 12 switch may be set to the auto start mode, which causes the OMM to send a start signal once every second, and activate the probe prior to an inspection routine.
Factory set to machine start.

The MI 12 interface is available as :

1. **MI 12 interface unit**
The interface board is contained within a free standing enclosure. The optional panel mounting kit, provides for attachment to the machine cabinet.
2. **MI 12-B**
Board only for mounting within the machine cabinet, using self adhesive feet or M4 support studs.

Outputs from MI 12

There are four solid state relay (SSR) outputs, comprising probe status and skip complimentary outputs - selected by an internal switch, an error output and a low battery output.

The output signals from the interface must be compatible with the machine control input.
Maximum current $\pm 40\text{mA}$ peak.
Maximum voltage $\pm 50\text{V}$ peak.

Remote audible indicator or lamp

There is one output for a remote audible indicator or lamp (not supplied by Renishaw), which is used when the MI 12 is remote from the machine operator. The output will sink 100mA and should have no more than +50V DC applied to it. The output will remain active for 44ms after each probe change of state.

Power supply

The MI 12 can draw its supply from the CNC machine +15 to 30V DC and presents a load of up to 400mA. Alternatively the Renishaw PSU3 power supply unit supplies power, when a 24V supply is not available from the machine control.

RENISHAW

DATA SHEET

Installation

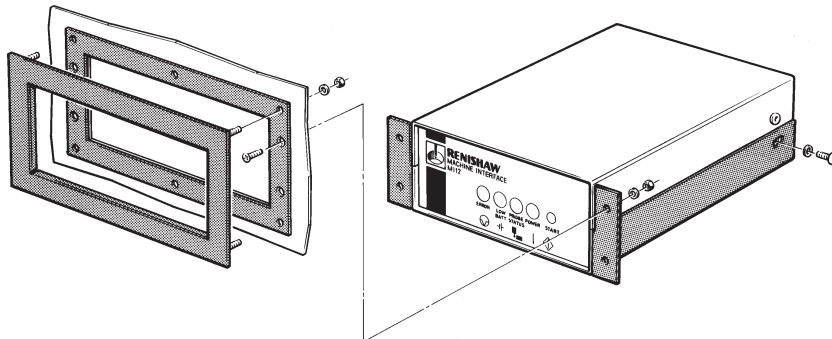
dimensions mm (inches)

MI 12 terminal connections

Panel mounting

The interface unit may be mounted inside the CNC machine cabinet, using the optional panel mounting kit.

Holes must be cut in the machine protective panel to accept the MI 12 front panel and fixing screws as shown in diagram below.

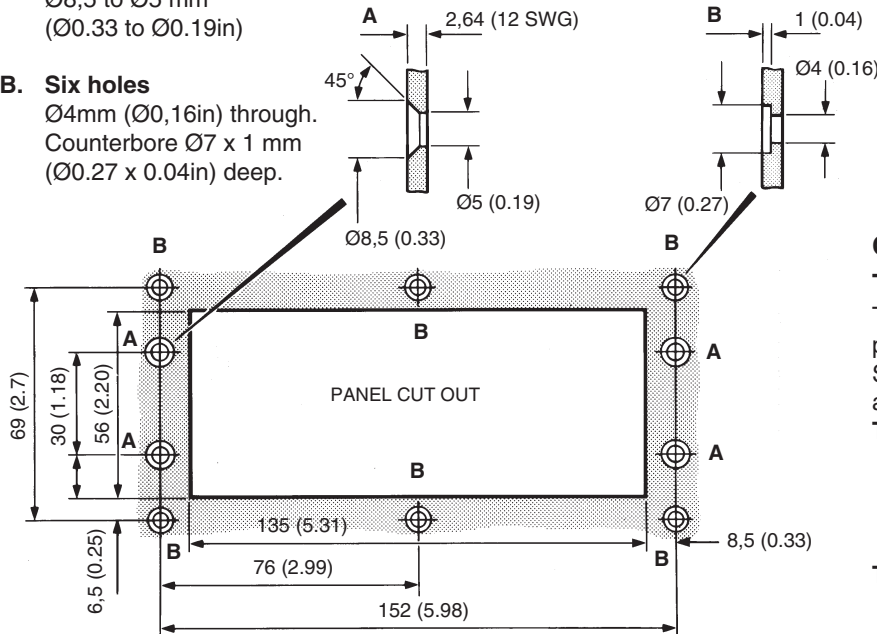


A. Four countersunk holes

Ø8,5 to Ø5 mm
(Ø0.33 to Ø0.19in)

B. Six holes

Ø4mm (Ø0,16in) through.
Counterbore Ø7 x 1 mm
(Ø0.27 x 0.04in) deep.



- 1 SIGNAL
- 2 SIGNAL 1
- 3 START 1
- 4 0V
- 5 10V
- 6 0V
- 7 SIGNAL 2
- 8 SIGNAL 2
- 9 START 2
- 10] ERROR
- 11] SSR
- 12] LOW BATT
- 13] SSR
- 14] PROBE STATUS
- 15] SSR
- 16 +24V SUPPLY
- 17 0V SUPPLY
- 18 GND
- 19 SIGNAL STRENGTH OMM 1
- 20 AUDIO EXTENSION
- 21 +ve] MACHINE
- 22 -ve] START
- 23] PROBE STATUS
- 24] SSR

OMM signal strength test points

T1, T2 and T3

Test points are located on the MI 12 printed circuit board (PCB). Signal strength is measured using a digital volt meter (DVM).

T1 OMM 2

Minimum receivable signal approximately 0.36V DC. Maximum signal strength output approximately 7V DC.

T2 OMM 1

Signal strength levels same as T1. (Also available on terminal 19).

T3 0V reference.

Parts List - Please quote the Part No. when ordering equipment

| Type | Part No. | Description |
|------------|-------------|---|
| MI 12 | A-2075-0142 | MI 12 Interface Unit. |
| MI 12-B | A-2075-0141 | MI 12 Interface Board only. |
| Panel kit | A-2033-0690 | Panel mounting kit for MI 12 interface unit. |
| Fuse 62mA | P-FS20-0062 | 62mA (T) quick blow fuse FS1 (spare), FS2 - Error, FS3 - low battery, FS4 - probe status N/C, FS6 - probe status N/O. |
| Fuse 250mA | P-FS20-1A25 | 250mA (T) anti-surge fuse FS5 - audio extension protection. |
| Fuse 500mA | P-FS01-1A50 | 500mA (T) anti-surge fuse FS7 - power supply protection. |

Renishaw plc

New Mills, Wotton-under-Edge,
Gloucestershire, GL12 8JR, UK

Tel +44 (0)1453 524524
[07000 RENISHAW]

Fax +44 (0)1453 524901

Telex 437120 RENMET G

email uk@renishaw.com



www.renishaw.com

Renishaw Inc., USA

Tel +1 847 286 9953
Fax +1 847 286 9974
email usa@renishaw.com

Renishaw K.K., Japan

Tel +81 3 5332 6021
Fax +81 3 5332 6025
email japan@renishaw.com

Renishaw GmbH, Germany

Tel +49 7127 9810
Fax +49 7127 88237
email germany@renishaw.com

Renishaw S.A., France

Tel +33 1 64 61 84 84
Fax +33 1 64 61 65 26
email france@renishaw.com

Renishaw S.p.A., Italy

Tel +39 011 9 66 10 52
Fax +39 011 9 66 40 83
email italy@renishaw.com

Renishaw Iberica S.A., Spain

Tel +34 93 478 21 31
Fax +34 93 478 16 08
email spain@renishaw.com

Renishaw A.G., Switzerland

Tel +41 55 410 66 66
Fax +41 55 410 66 69
email switzerland@renishaw.com

Renishaw Latino Americana Ltda., Brazil

Tel +55 11 4195 2866
Fax +55 11 4195 1641
email brazil@renishaw.com

Renishaw (Hong Kong) Ltd., Hong Kong, The People's Republic of China

Tel +852 2753 0638
Fax +852 2756 8786
email hongkong@renishaw.com

Renishaw Metrology Systems Private Limited, India

Tel +91 80 5230 144
Fax +91 80 5230 140
email india@renishaw.com

Renishaw Oceania Pty Ltd., Australia

Tel +61 3 9553 8267
Fax +61 3 9592 6738
email australia@renishaw.com

Renishaw's Representative Offices

Indonesia Tel +62 21 428 70153
Fax +62 21 424 3934
email indonesia@renishaw.com

Singapore Tel +65 897 5466

Fax +65 897 5467

email singapore@renishaw.com

Taiwan Tel +886 4 251 3665

Fax +886 4 251 3621

email taiwan@renishaw.com

The People's Republic of China

Tel +86 10 641 07993

Fax +86 10 641 07992

email china@renishaw.com

Renishaw's Liaison Office South Korea

Tel +82 2 565 6878

Fax +82 2 565 6879

email southkorea@renishaw.com